



V404X Line Voltage Valves

V4043 LINE VOLTAGE ZONE VALVES

V4043 LINE VOLTAGE ZONE VALVES FOR STEAM

V4044 LINE VOLTAGE DIVERTING VALVES

SUBMITTAL SHEET

Job Name	
Engineer	
Mechanical Contractor	
Contractor's P.O. No.	
Representative	
Notes	

Model(s)			
	Qty.		Notes
	Qty.		Notes
	Qty.		Notes
Approval			
Service			
Tag No.			

V4043 LINE VOLTAGE ZONE VALVES

Two way on-off line voltage valves consist of an actuator motor and valve assembly for controlling the flow of hot or chilled water.

- Manual opener (on all models, except straight-through, normally open valves) for valve operation on power failure; valve returns to automatic position when power is restored.
- All models may be installed without disassembling the valve.
- Compact construction for easy installation.
- Complete powerhead may be removed or replaced without breaking plumbing line connections or draining the system.
- Motor may be replaced without removing the valve body or draining the system.
- Suitable for heating and cooling applications.

SPECIFICATIONS

Application: Hydronic Control

Valve Type: Zone Valve

Body Pattern: Two-way, Straight-through

Frequency: 60 Hz

Actuation: Two position

Electrical Connections: 18 in. leads (457 mm leads)

Voltage: 120 Vac; Power Consumption – 9.6 VA

Current Draw: 0.08A

Ambient Temperature Range: 125°F Maximum (52°C Maximum)

Fluid Temperature: 40°F to 200°F (5°C to 93°C)

Static Pressure Rating (psi): 125 psi

Static Pressure Rating (kPa): 862 kPa

Materials (Body): Brass

Materials (Seat): Brass

Materials (Stem): Stainless Steel

Materials (Plug / Ball / Disc): Buna-N (NBR) Rubber Ball

Materials (Packing): EPDM rubber

Timing: Nominal Open - 15 sec

Operating Humidity Range (% RH): 5 to 95% relative humidity, non-condensing.

Approvals:

Underwriters Laboratories Inc.: UL Component Listed: File MH11826 Vol. 1

CSA: CSA Certified: File 1322

NOTE: Use this valve in closed loop hydronic systems that do not contain dissolved oxygen in system water, such as fresh water from frequent source of makeup water. Valve designed for cycling (not constantly powered on) applications.



Material Number	Capacity (Cv)	Capacity (Kv)	Pipe Size (inch)	Pipe Size (DN)	Connection Type	Maximum Differential Pressure Ratings (Close-off) (psi)	Maximum Differential Pressure Ratings (Close-off) (kPa)	De-energized Position	Valve Action	Manual Opener
V4043A1002/U	3.5 Cv	3 Kv	1/2 in.	DN15	Flare	20 psi	138 kPa	Normally Closed	Spring return to close	Yes
V4043A1010/U	3.5 Cv	3 Kv	1/2 in.	DN15	Sweat	20 psi	138 kPa	Normally Closed	Spring return to close	Yes
V4043A1184/U	1 Cv	0.9 Kv	1/2 in.	DN15	Sweat	50 psi	345 kPa	Normally Closed	Spring return to close	Yes
V4043A1259/U	8 Cv	6.9 Kv	3/4 in.	DN20	Sweat	8 psi	55 kPa	Normally Closed	Spring return to close	Yes
V4043A1317/U	8 Cv	6.9 Kv	1 in.	DN25	Sweat	8 psi	55 kPa	Normally Closed	Spring return to close	Yes
V4043A1689/U	3.5 Cv	3 Kv	1/2 in.	DN15	NPT	20 psi	138 kPa	Normally Closed	Spring return to close	Yes
V4043A1697/U	10 Cv	8.6 Kv	1 in.	DN25	NPT	6.5 psi	45 kPa	Normally Closed	Spring return to close	Yes
V4043A1705/U	3.5 Cv	3 Kv	3/4 in.	DN20	NPT	20 psi	138 kPa	Normally Closed	Spring return to close	Yes
V4043B1018/U	3.5 Cv	3 Kv	1/2 in.	DN15	Sweat	20 psi	138 kPa	Normally Open	Spring return to open	No

V4043 LINE VOLTAGE ZONE VALVES FOR STEAM

Two way on-off line voltage valves consist of an actuator motor and valve assembly for controlling the flow of low pressure steam.

- Manual opener (on all models, except straight-through, normally open valves) for valve operation on power failure; valve returns to automatic position when power is restored.
- All models may be installed without disassembling the valve.
- Compact construction for easy installation.
- Complete powerhead may be removed or replaced without breaking plumbing line connections or draining the system.
- Motor may be replaced without removing the valve body or draining the system.
- Suitable for heating applications.

Application: Steam (low pressure) Control

Valve Type: Zone Valve

Pipe Size (inch): 1/2 in.

Pipe Size (DN): DN15

Body Pattern: Two-way, Straight-through

Capacity (Cv): 3.5 Cv

Capacity (Kv): 3 Kv

Frequency: 60 Hz

Actuation: Two position

Ambient Temperature Range: 125°F Maximum (52°C Maximum)

Fluid Temperature: 40°F to 240°F (5°C to 116°C)

Pressure Range (psi): Steam - 15 psi

Pressure Range (kPa): Steam - 103 kPa

Static Pressure Rating (psi): 125 psi

Static Pressure Rating (kPa): 862 kPa

Materials (Body): Brass

Materials (Seat): Brass

Materials (Stem): Stainless Steel

Materials (Plug / Ball / Disc): EPDM Rubber Ball

Materials (Packing): EPDM rubber

Timing: Nominal Open - 15 sec

Operating Humidity Range (% RH): 5 to 95% relative humidity, non-condensing.

Approvals:

Underwriters Laboratories Inc.: UL Component Listed: File MH11826 Vol. 1

CSA: CSA Certified: File 1322

Material Number	Electrical Connections	Connection Type	Maximum Differential Pressure Ratings (Close-off) (psi)	Maximum Differential Pressure Ratings (Close-off) (kPa)	De-energized Position	Valve Action	Voltage	Current Draw	Manual Opener
V4043E1003/U	18 in. leads (457 mm leads)	Sweat	20 psi	138 kPa	Normally Closed	Spring return to close	120 Vac; Power Consumption - 9.6 VA	0.08A	Yes
V4043E1011/U	18 in. leads (457 mm leads)	Sweat	20 psi	138 kPa	Normally Closed	Spring return to close	208 Vac; Power Consumption - 9.6 VA	0.04A	Yes
V4043E1029/U	18 in. leads (457 mm leads)	Sweat	20 psi	138 kPa	Normally Closed	Spring return to close	240 Vac; Power Consumption - 9.6 VA	0.04A	Yes

V4044 LINE VOLTAGE DIVERTING VALVES

On-off and diverting line voltage valves consist of an actuator motor and valve assembly for controlling the flow of hot or chilled water.

- Manual opener (on all models, except straight-through, normally open valves) for valve operation on power failure; valve returns to automatic position when power is restored.
- All models may be installed without disassembling the valve.
- Compact construction for easy installation.
- Complete powerhead may be removed or replaced without breaking plumbing line connections or draining the system.
- Motor may be replaced without removing the valve body or draining the system.
- Suitable for heating and cooling applications.

Application: Hydronic Control

Valve Type: Zone Valve

Body Pattern: Three-way, Diverting

Valve Action: Spring Return to port A

Voltage: 120 Vac; Power Consumption - 9.6 VA

Frequency: 60 Hz

Actuation: Two position

De-energized Position: Port A Normally Closed

Electrical Connections: 18 in. leads (457 mm leads)

Ambient Temperature Range: 125 Maximum (52 Maximum)

Fluid Temperature: 40 F to 200 F (5 C to 93 C)

Static Pressure Rating (psi): 125 psi

Static Pressure Rating (kPa): 862 kPa

Materials (Body): Brass

Materials (Seat): Brass

Materials (Stem): Stainless Steel

Materials (Plug / Ball / Disc): Buna-N (NBR) Rubber Ball

Materials (Packing): EPDM rubber

Timing: Nominal Open - 30 sec

Operating Humidity Range (% RH): 5 to 95% relative humidity, non-condensing.

Manual Opener: Yes

Current Draw: 0.08A

Approvals:

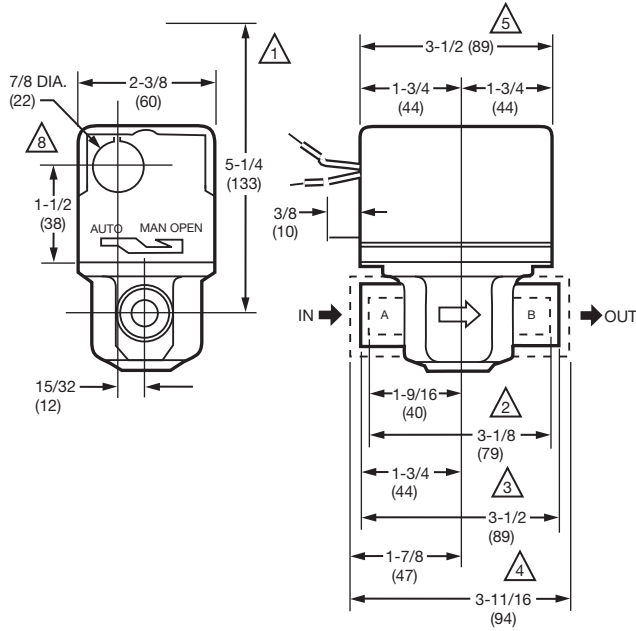
Underwriters Laboratories Inc.: UL Component Listed: File MH11826 Vol. 1

NOTE: Use this valve in closed loop hydronic systems that do not contain dissolved oxygen in system water, such as fresh water from frequent source of makeup water. Valve designed for cycling (not constantly powered on) applications.

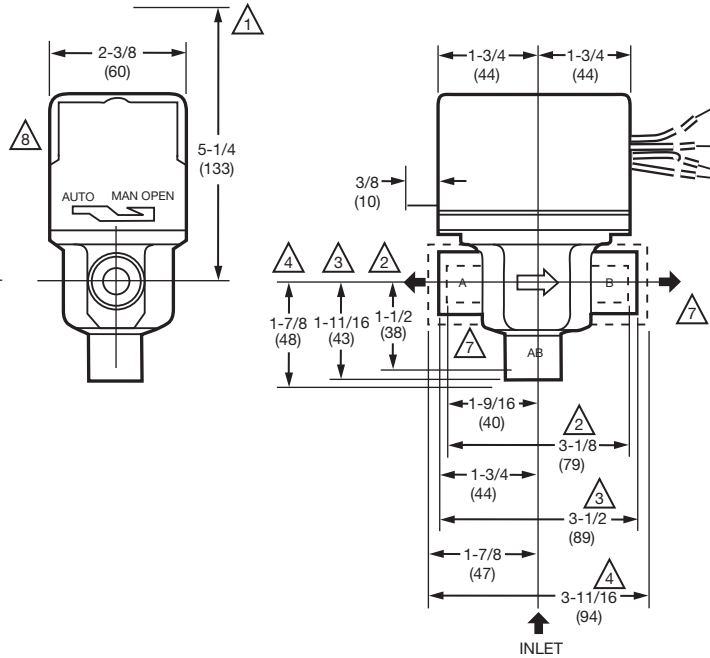
Material Number	Capacity (Cv)	Capacity (Kv)	Pipe Size (inch)	Pipe Size (DN)	Connection Type	Maximum Differential Pressure Ratings (Close-off) (psi)	Maximum Differential Pressure Ratings (Close-off) (kPa)	Changeover Aquastat
V4044A1001/U	4 Cv	3.4 Kv	1/2 in.	DN15	Flare	20 psi	138 kPa	
V4044A1019/U	4 Cv	3.4 Kv	1/2 in.	DN15	Sweat	20 psi	138 kPa	
V4044A1191/U	7.0 Cv	6 Kv	3/4 in.	DN20	Sweat	10 psi	69 kPa	
V4044B1017/U	4 Cv	3.4 Kv	1/2 in.	DN15	Sweat	20 psi	138 kPa	Yes, SPDT

Dimensions in inches (millimeters)

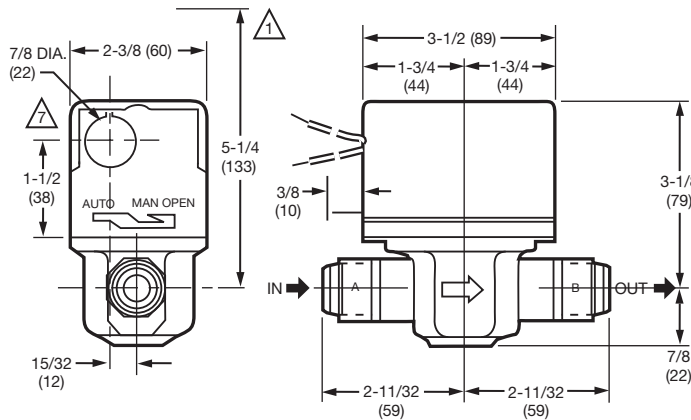
V4043, V8043 SWEAT COPPER CONNECTION MODELS ^{△6}



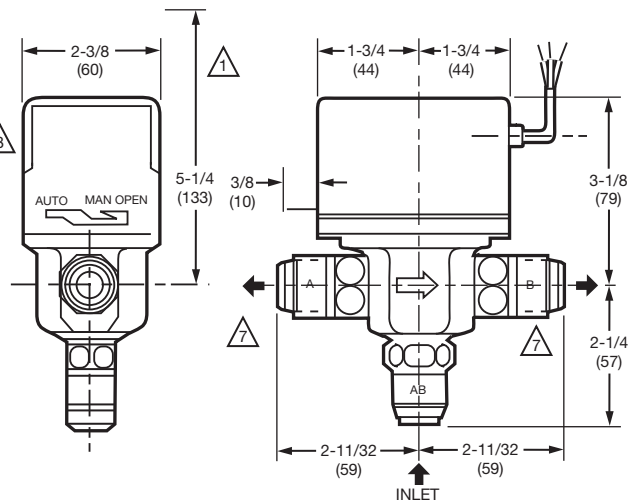
V4044, V8044 SWEAT COPPER CONNECTION MODELS



V4043, V8043 FLARE-FITTING MODELS ^{△6}



V4044, V8044 FLARE-FITTING MODELS



^{△1} HEIGHT NEEDED TO REMOVE COVER.

^{△2} DIMENSIONS FOR 1/2 IN. COPPER TUBING.

^{△3} DIMENSIONS FOR 3/4 IN COPPER TUBING.

^{△4} DIMENSIONS FOR 1 IN. COPPER TUBING.

^{△5} 4-7/8 IN. (124) MAX ON V8034F WITH TERMINAL BOARD ENCLOSURE.

^{△6} V4034B AND V8043B VALVES THAT ARE NORMALLY OPEN IN THE DE-ENERGIZED POSITION HAVE NO MANUAL LEVER. THE VALVES ALSO HAVE A REVERSED POWERHEAD WHERE THE LEADWIRES EXIT THE POWERHEAD ABOVE THE B (OUTLET) PORT RATHER THAN ABOVE THE A (INLET) PORT.

^{△7} REFER TO MOUNTING INSTRUCTIONS.

^{△8} OPENING FOR 1/2 IN. CONDUIT ON MANUAL LEVER SIDE FOR V4043, V8043; OPENING ON OPPOSITE SIDE FOR V4044, V8044.

M37693



Resideo Technologies, Inc.
1985 Douglas Drive North, Golden Valley, MN 55422
1-800-468-1502
33-00449-02 M.S. Rev. 01-21 | Printed in United States

www.resideo.com